

# Z2 TBV 1/2 C

## COMMERCIAL Tap Range

Single Tall Body Pillar Basin Soft  
Touch Timed Flow Tap Chrome



### Specification

Product Type:	Commercial
Main Construction Material:	Brass
Mount Type:	Deck Mounted
Handle Type:	Round Handle
Connection Inlet:	1/2" BSP
Number of Tap Holes:	1
Valve/Cartridge Type:	Self Closing Valve
Plumbing System Requirements:	All - Ideally Balnced
Minimum Dynamic Pressure:	0.2 Bar
Maximum Hot Water Temperature: °C	60
Maximum Static Pressure: (bar)	10
Flow Type:	Single Flow
Isolation Included:	No

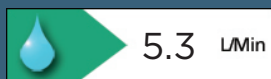
### Features:

- Timed shut off to meet BS EN 816
- Soft touch easy to use mechanism
- Tall body is ideal for vessel basins or troughs
- Supplied with 5L/min flow regulator
- Operates at a minimum pressure of 1.0 bar

### Product Certifications:



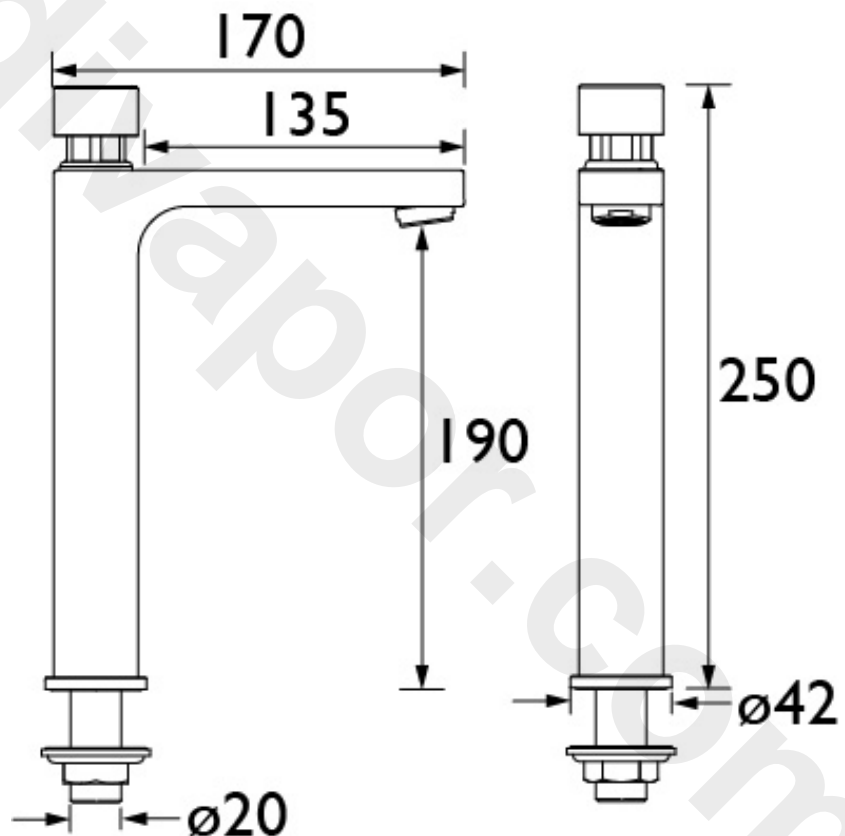
WRAS Cert. Number: 1907902  
WRAS Expiry Date: 31/07/2024



For more products, visit our website:  
<http://www.bristan.com>



### Dimensions (measurements in mm)



### Flow Rates (l/min)

System Pressure (bar)	0.2	0.5	1	2	3	5
Z2 TBV 1/2 C	2.2	4.1	5	5	5.3	5.5

TECHNICAL  
DATA  
SHEET



**BRISTAN**

D2